

---

*Laptop  
Extension*

*User's Guide*



WINDOWS XP TABLET

---

**Intentionally Left Blank**

## Preface

---

©Copyright 2006

All Rights Reserved.

The information in this document is subject to change without prior notice in order to improve reliability, design and function and does not represent a commitment on the part of the manufacturer.

In no event will the manufacturer be liable for direct, indirect, special, incidental, or consequential damages arising out of the use or inability to use the product or documentation, even if advised of the possibility of such damages.

This document contains proprietary information protected by copyright. All rights are reserved. No part of this manual may be reproduced by any mechanical, electronic, or other means in any form without prior written permission of the manufacturer.

## Safety Notices

---

1. Please read these safety instructions carefully.
2. All precautions and warnings on the equipment should be carefully noted.
3. Please disconnect the computer from the AC outlet before cleaning.
4. Never pour any liquids into any openings or directly onto the computer unit. This could result in fire or electrical shock.

- 
5. Ensure the voltage range of the power outlet is between 100V and 240V before connecting the computer unit. Exceeding the maximum rated voltage may cause damage to the AC adapter or to the computer. This could result in fire or electrical shock.
  6. Do not leave this equipment in a non-temperature controlled environment; storage temperatures below 4°C (39°F) or above 35°C (95°F) may damage the unit.

 **NOTE**

*To reduce the risk of an electric shock, which could cause personal injury, please follow all safety notices. The symbols shown are used in your documentation and on your equipment to indicate safety hazards.*

 **NOTE**

*Lithium batteries can be dangerous. Danger of explosion if battery is incorrectly replaced. Replace only with the same or equivalent type recommended by the manufacturer. Dispose of used batteries according to the manufacturer's instructions.*

 **NOTE**

*Under no circumstances should the user attempt to disassemble the power supply. The power supply has no user-replaceable parts. Inside the power supply are hazardous voltages that can cause serious personal injury. A defective power supply must be returned to your dealer.*

---

## **Safety Notices for the Power Cord**

---

This equipment has a 2 or 3-wire power cord. Replace the power cord if it becomes damaged. Contact your dealer for an exact replacement.

In the U.S.A. and Canada, the power cord must be a UL-listed detachable power cord (in Canada, CSA-certified).

---

2-wire cord	SPT-2 18AWG
-------------	-------------

---

3-wire cord	SVT or SJT, 18 AWG, 3-conductor
-------------	---------------------------------

---

Provided with a molded-on cord connector body at the other end. The cord length must not exceed 3 meters.

Outside the U.S.A. and Canada, the plug must be rated for 250 VAC, 2.5 amp minimum, and must display an international agency approval marking. The cord must be suitable for use in the end-user's country. Consult your dealer or the local electrical authorities if you are unsure of the type of power cord to use in your country. Voltage changes occur automatically in the power supply.

## **Notice of EMC Compliance**

---

This equipment has been tested and found to comply with the limits for a Class B digital device, pursuant to Part 15 of the FCC Rules. These limits are designed to provide reasonable protection against harmful interference in a residential installation.

---

This equipment generates, uses, and can radiate radio frequency energy and if not installed and used in accordance with the instruction manual may cause harmful interference to radio communications. However, there is no guarantee that interference will not occur in a particular installation. If this equipment does cause harmful interference to radio or television reception, which can be determined by turning the equipment off and on, the user is encouraged to try to correct the interference by one or more of the following measures:

- Reorient or relocate the receiving antenna.
- Increase the separation between the equipment and receiver.
- Connect the equipment into an outlet on a circuit different from that to which the receiver is connected.
- Consult the dealer or an experienced technician for help.

Use only shielded I/O cables to connect I/O devices to this equipment.

You are cautioned the changes or modifications not expressly approved by the party responsible for compliance could void your authority to use the equipment.

This device complies with Part 15 of the FCC Rules. Operation is subject to the following two conditions: (1) this device will not cause harmful interference, and (2) this device must accept any interference it receive including interference that may cause undesired operation.

This device and its antenna(s) must not be co-located or operating in conjunction with any other antenna or transmitter.

---

## **FCC Radiation Exposure Statement**

---

This equipment complies with FCC radiation exposure limits set forth for an uncontrolled environment. This equipment should be installed and operated with minimum distance 20 cm between the radiator & your body.

## **Canadian EMI Compliance Statement**

---

This Class B digital apparatus meets all requirements of the Canadian Interference - Causing Equipment Regulations.

## **European Union CE Marking Declaration**

---

This product has been tested and found to comply with the EMC requirement subject to the EU directive for CE marking.

CE Declaration of Conformity

For the following equipment: Ultra Mobile PC

---

# CE 0984 Ⓢ

Is herewith confirmed to comply with the requirements set out in the Council Directive on the Approximation of the Laws of the Member States relating to Electromagnetic Compatibility (89/336/EEC), Low-voltage Directive (73/23/EEC) and the Amendment Directive (93/68/EEC), the procedures given in European Council Directive 99/5/EC and 89/336/EEC.

The equipment was passed. The test was performed according to the following European standards:

- EN 300 328 V.1.6.1 (2004)
- EN 301 489-1 V.1.4.1 (2002) / EN 301 489-17 V.1.2.1 (2002)
- EN 50371: 2002
- EN 60950-1: 2001

## **Regulatory statement (R&TTE / WLAN IEEE 802.11b & 802.11g)**

European standards dictate maximum radiated transmit power of 100mW EIRP and frequency range 2.400-2.4835GHz; In France, the equipment must be restricted to the 2.4465-2.4835GHz frequency range and must be restricted to indoor use.

- inside the buildings with a power (WORSE \*) maximum of 100 MW on all the frequency band 2400-2483,5 MHz,
- outside the buildings with a power (WORSE \*) maximum of 100 MW on the part 2400-2454MHz and with a power (WORSE \*) maximum of 10 MW on the part 2454-2483MHz

---

## Laser Compliance Statement for CD-ROM, DVD-ROM, CD-RW and DVD/CD-RW Combo Drives

---



The CD-ROM, DVD-ROM, CD-RW and DVD/CD-RW Combo drive for this computer are laser products. The classification label of the drive is located on the bottom of the drive. Below is a sample of the classification label;

CLASS 1 LASER PRODUCT

LASER KLASSE 1

LOUKAN 1 LASERLAITE

APPAREIL A LASER DE CLASSE 1

KLASS 1 LASER APPARAT

The drive is certified in the USA to comply with the requirements of the Department of Health and Human Services 21 Code of Federal Regulations (DHHS 21 CFR) Subchapter J. for Class 1 laser products.

In other countries the drive is certified to comply with the requirements of EN60825.



*Do not open the drive. There are no*

---

*user-serviceable parts or components inside. Use of controls, adjustments and operation of procedures other than those specified, may result in hazardous exposure to radiation. Class I (1) laser products are not considered hazardous. The drive has an internal, Class I (1), 0.5-milliwatt, aluminum gallium-arsenide laser that operates at a wavelength of 760 to 810 nanometers. The design of the laser system and the drive ensures that there is no exposure to laser radiation above a Class I (1) level during normal operation, user maintenance or servicing.*

---

## Table of Contents

---

<b>Chapter 1: Before You Start .....</b>	<b>1</b>
What to do Before You Work on your Computer .....	1
<b>Chapter 2: Introduction.....</b>	<b>3</b>
Introducing your Computer .....	3
Unpacking the Computer .....	3
Getting to Know Your Computer .....	5
<b>Chapter 3: Getting Started.....</b>	<b>15</b>
Setting Up the Computer.....	15
Inserting and Removing the Battery Pack .....	15
Connecting the Computer to an External Power Source .....	18
Operating on Battery Power .....	20
<b>Chapter 4: Exploring Windows.....</b>	<b>21</b>
Using the Windows .....	21
Desktop .....	22
Control Panel .....	25
Turning off Your Computer .....	26
<b>Chapter 5: Using the Computer.....</b>	<b>29</b>
The Battery Power System.....	30
Using the A-Menu .....	32
Entering Information with the Pen.....	34
Using the OnScreen Keypad .....	34

---

Writing pad .....	34
Character pad .....	35
Pen Setting.....	37
Using the Stand .....	42
<b>Chapter 6: Performing Desktop Operations on Your Computer .....</b>	<b>45</b>
<b>Audio .....</b>	<b>45</b>
<b>Connecting Peripheral Devices .....</b>	<b>47</b>
<b>Chapter 7: Software Utilities.....</b>	<b>49</b>
<b>VGA Utility .....</b>	<b>49</b>
<b>Chapter 8: Troubleshooting.....</b>	<b>53</b>
<b>General Hardware Problems / Possible Cause and Solution ..</b>	<b>53</b>
<b>Contacting Your Dealer .....</b>	<b>58</b>
<b>Appendix A: Specifications .....</b>	<b>61</b>
<b>Detailed Specifications.....</b>	<b>61</b>

---

# Chapter 1

## *Before You Start*

This manual will help you get the most from your computer. If you are a less experienced user, you should read through the manual carefully before using your computer.

### ***What to do Before You Work on your Computer***

---

#### ***Let your Computer acclimatize itself***

Rapid changes in temperature such as those from the cold outdoors to a warm office would not be suitable for your system.



#### **NOTE**

***Do not power up your system immediately if it has been exposed to hot or cold conditions. Instead, allow the system to adjust gradually to room temperature over a three to four hour period.***

---

### ***Placement of your Computer***

Choose a suitable place for your system that's not too hot, too cold, too dark, or too bright. Glare can make it difficult to read the screen.

- Allow sufficient air circulation around the computer when you are working indoors
- Try to keep the system components from being destroyed if it is over heated
- Do not block the ventilation opening
- Do not place your computer in direct sunlight

### ***Suitable place to work***

Your computer will run well under most conditions but avoid extreme temperatures and humidity levels.

There are some things you can tolerate that the computer can't – things like static electricity, dust, water, steam and oil.



***A lithium-ion battery pack is included for those who are frequent travelers. When you are running your computer on battery power for the first time, remove the battery from the package, install it into the system and recharge the battery to fully prepare for service.***

---

## Chapter II

### *Introduction*

---

#### ***Introducing your Computer***

Your computer features the latest advances in portable computing technology. The computer modular design provides maximum expandability without compromising portability.

---

#### ***Unpacking the Computer***

The computer comes securely packaged in a shipping carton. Please contact your dealer if you find that anything is missing or damaged after examining the contents. The shipping carton should contain the following items:

- AC/DC Adapter with Power Cord Set
- Stereo Head Phone/MIC
- A Stand

- 
- A Clean Cloth
  - Gift Box

---

Do not throw the packaging materials away. You may need them later if you have to ship the computer.

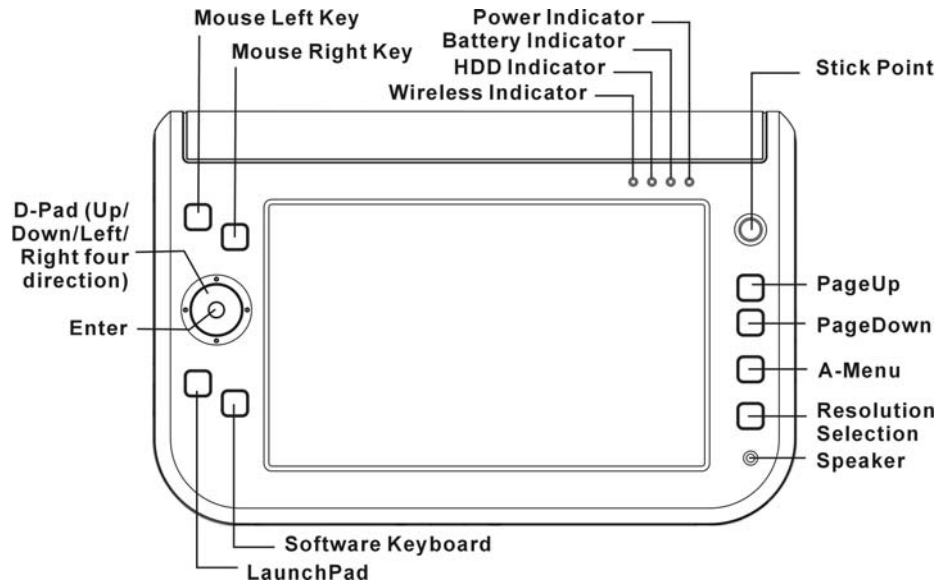
**NOTE**

*Because of different configurations, some of the features mentioned in this manual might not be included on your computer or may differ slightly.*

**Getting to Know Your Computer**

---

*Top View*



---

### ▶▶ Mouse Left/Right Key

This is equivalent to the left and right key on an average mouse that you are using.

### ▶▶ D-Pad (4 Direction + Enter)

#### ➤ [↑]/[↓] Buttons

Press on the [↑]/[↓] buttons to scroll down on the item vertically that you wish to execute or run.

#### ➤ [←]/[→] Buttons

Press on the [→] or [←] buttons to scroll down on the item horizontally that you wish to execute or run.

#### ➤ Enter Button

This button operates the same as when you are using the enter key on the keyboard.

### ▶▶ Origami Button

Preset as Origami configurable button. You can set this function to your own preferences.

### ▶▶ DialKeys

DialKeys is an on-screen keyboard designed to be used in a compact touch screen computer.

Use the pen to tap on the major function of the on-screen keyboard.

### ▶▶ Power On indicator

This LED icon represents the status when you are using the computer by using the adapter.

- Green light indicates it is in On status

- 
- Blinking indicates it is in standby mode.

#### ▶▶ **Battery Indicator**

This LED icon indicates the present status of your battery.

- LED in Amber color indicates is in charging status.
- LED in Green color indicates it is in full status operates with DC.
- LED turn off indicates without DC plug in

#### ▶▶ **HDD Accessing**

This LED icon indicates that the computer is accessing the hard disk drive. The LED will blink in amber color to indicate this status.

#### ▶▶ **Wireless Status**

This LED icon indicates your computer is in wireless status. The LED will lit in amber to indicate this status.

#### ▶▶ **Stick Point**

This is equivalent to the touchpad on an ordinary notebook computer.

#### ▶▶ **PageUp**

Press this button to go up the page when you are scrolling on the window screen.

#### ▶▶ **PageDown**

Press this button to go down the page when you are scrolling on the window screen.

---

▶▶ **A-Menu**

Use this key to enable the A-Menu display function.

▶▶ **Resolution Selection**

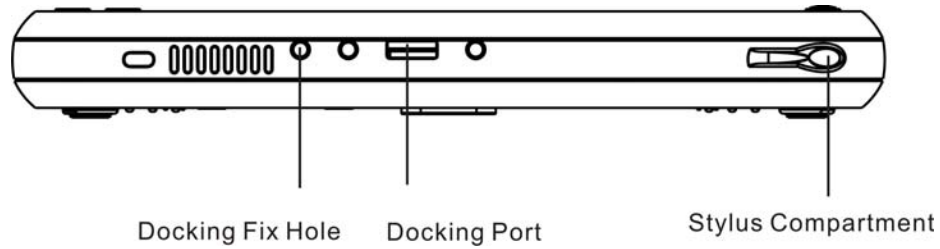
Press this button to adjust the resolution of your screen.



There is another application provided for this button. Refer to “Using the A-Menu” section of Chapter 5

---

*The Front View*



▶▶ **Docking Fix Hole**

▶▶ **Docking Port**

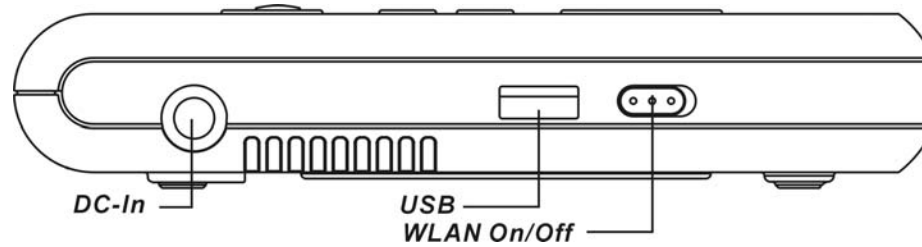
Use this port to connect to the system docking station.

▶▶ **Pen Compartment**

Secures the pen to the system.

---

### *The Left View*



▶▶ **WLAN On/Off**

Slide this latch to open or close the WLAN.

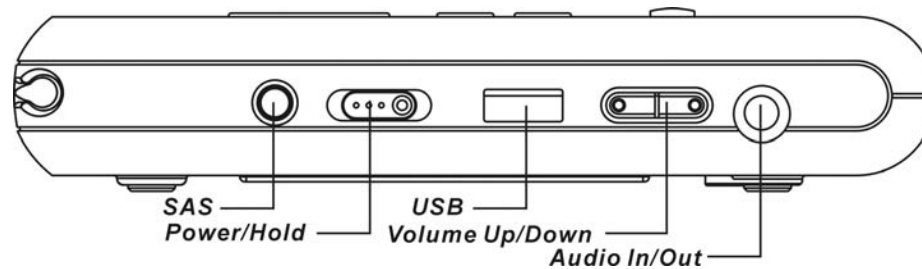
▶▶ **USB Port**

Your computer includes two Universal Serial Bus (USB) 2.0 ports. USB2.0 is the latest development in Plug and Play technology.

▶▶ **DC IN Jack**

Plug the AC adapter into this jack.

### *The Right View*



---

▶▶ **Audio In/Out**

This jack is used to input stereo sound from other devices, such as a radio or tape recorder, into your computer. You can also use this as an output source by connecting a speaker.

▶▶ **Volume Up/Down**

Slide this latch to increase or decrease the volume.

▶▶ **USB Port**

Your computer includes two Universal Serial Bus (USB) 2.0 ports. USB2.0 is the latest development in Plug and Play technology.

▶▶ **Power/Hold Switch**

Slide and release the power switch for 1 to 2 seconds will turn on the computer (the LED will lit to indicate its present status). You can also slide this switch to resume normal status when the computer is in suspend mode.

▶▶ **Secure Attention Sequence(SAS)**

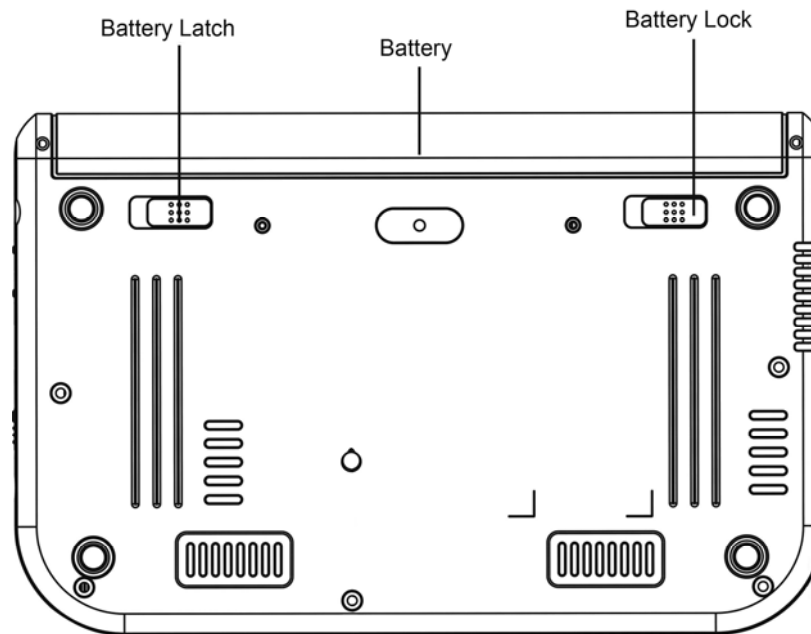
A computer without an attached keyboard must support an SAS hardware mechanism to generate the SAS which also known as “CTRL-ALT-DEL” or “CAD”.

---

*The Bottom Panel*

**⚡ WARNING**

*We recommend you to be extra careful on not to press when you handle the bottom panel of your computer.*



---

▶▶ **Battery Release Latch**

Use this latch to release the battery from its bay.

▶▶ **Battery**

Your computer comes equipped with a factory-installed battery pack module. After the battery runs down, the module can be removed and replaced with a charged battery.

▶▶ **Battery Lock**

Use this latch to lock the battery permanently.

---

**Intentionally Left Blank**

---

## Chapter III

### *Getting Started*

#### ***Setting Up the Computer***

---

- Remove the computer from its package.
- Insert the battery pack into the computer so the pack can start charging.
- Connect the computer to an external power source. Turn on the computer.

#### ***Inserting and Removing the Battery Pack***

---

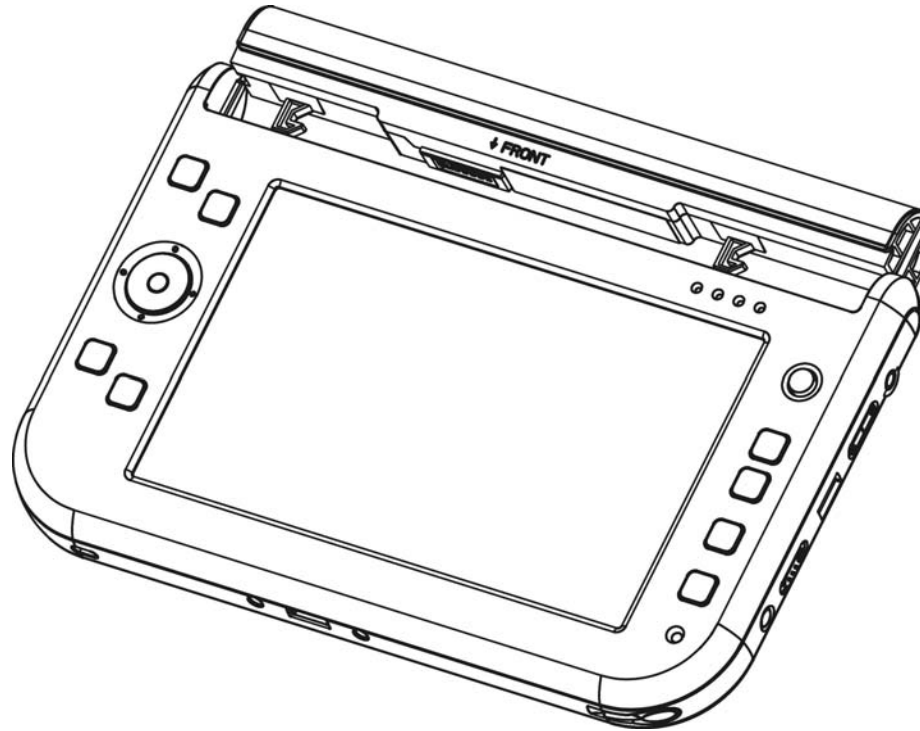
##### ***Inserting the Battery Pack***



***Before inserting the battery, be sure the front side of the battery is facing the top side of the system as***

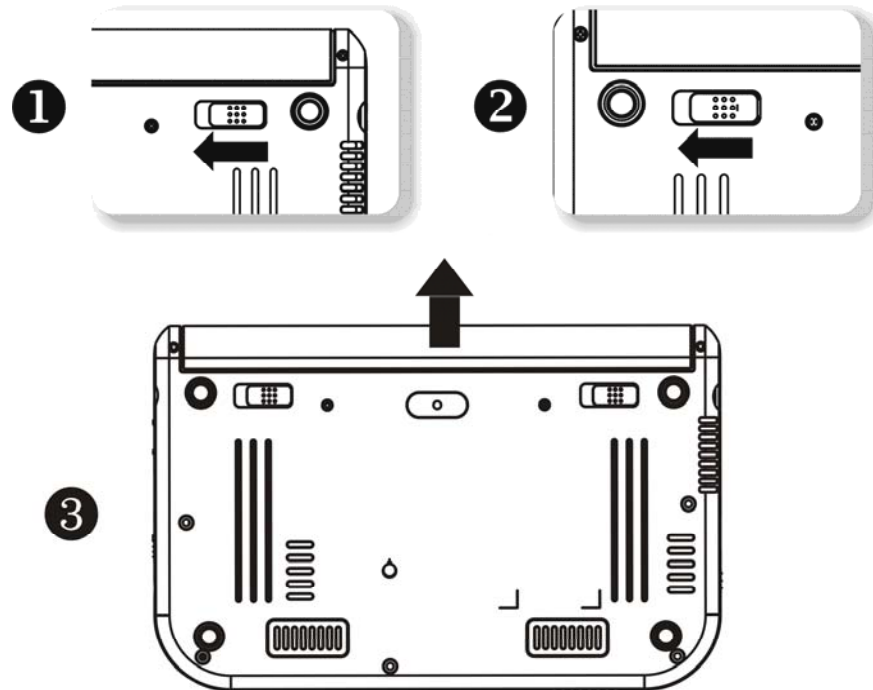
---

*shown in the illustration.*



- Turn over the computer and place it on a solid, flat surface.
- Align the battery into the battery compartment ❶.
- Slide the battery latch into the direction of the arrow ❷ (from left ❶ to right ❷) as shown in the illustration.

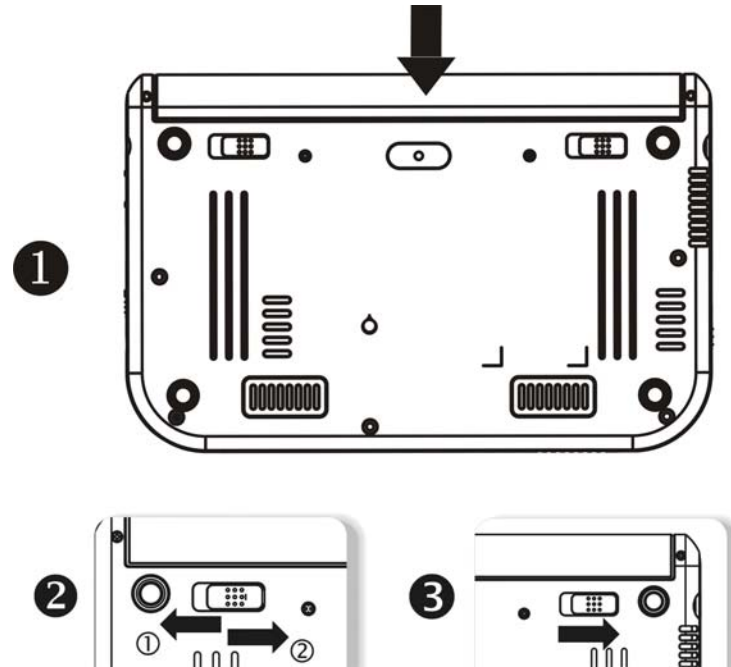
- 
- Again, slide the battery lock into the direction of the arrow ③ as shown in the illustration.



### ***Removing the Battery Pack***

- Slide the battery lock into the direction of the arrow ① as shown in the illustration.

- 
- Again, slide the battery latch into the direction of the arrow ② as shown in the illustration.
  - Push the battery away from its compartment ③.



---

### ***Connecting the Computer to an External Power Source***

---

To connect the computer to an external AC power source using the AC adapter:

- 
- Plug the AC adapter cable into the AC power connector on the computer.
  - Plug one end of the power cord into an electrical outlet and the other end into the AC adapter.

 **WARNING**

*To prevent damage to your computer, please do not use inferior extension cords. An AC adapter comes with your computer. Never use a different kind of adapter to power the computer or other electrical devices.*

Whenever possible, keep the AC adapter plugged into the computer and an electrical outlet to recharge the battery.

 **WARNING**

*Don't try to reset your computer while the hard disk is in use as it may result in the loss or destruction of your data.*

---

## ***Operating on Battery Power***

---

Your computer comes with a rechargeable battery pack that lets you operate the computer without an external power source.

When battery pack is fully charged, you can operate the computer for approximately 2 hours in general operation.

### **Charging the Battery Pack**

The installed battery pack charges automatically whenever the computer is connected to the AC adapter and an external power source.

The first time you use the battery, be sure to fully discharge the battery and recharge it until it is fully charged.

---

## Chapter IV

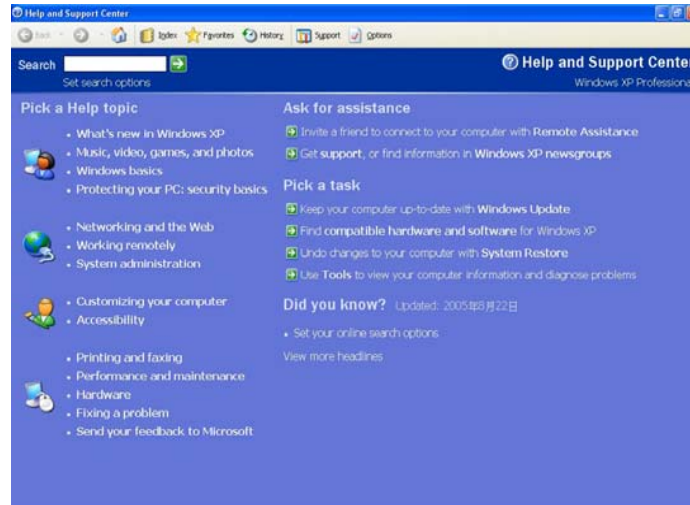
### *Exploring Windows*

#### *Using the Windows*

---

##### *Help Windows*

For Windows XP help, click **Start → Help and Support** icon will open the dialog box.



## ***Desktop***

---

Desktop vary on the software installed in your computer.



### ***Recycle Bin***

Deleted files will be stored here and can be recovered in case you want to do so then saving it back to your system. Delete the files if you are sure by clicking your mouse and select the “Empty Recycle Bin”.

---

### *Start Button*

The **Start** button show different programs you most frequently used.

**Log Off** will enable the current user to log off and allows a new user to log on.

**Turn Off Computer** allows you to shut down, restart, and Stand by modes for power saving purposes.




### *Taskbar*

To add or remove toolbars from the taskbar: right click an empty spot on the taskbar, select **Toolbars** → **choose the toolbar you want to add**.

---

### ***Notification***

Quick access to some programs are usually appeared here represented by its respective icons.

For you to see the hidden icons, simply click the  icon.

To prevent Windows XP from hiding icons:

From an empty spot on the **Taskbar**, right click your mouse and select the **Properties**, remove the checked mark on the **Hide inactive icons**.



### ***Control Panel***

This is where the area that enables you to change on how your Windows looks and works.

Click Start → Control Panel dialog box. There are two interfaces – **Classic View** or **Category View**.



### ***Turning off Your Computer***

---

When you finished working on your notebook it is recommended that you turn it off correctly. This will help your computer to run smoothly. In order to turn off your computer correctly, click **Start** then **turn off**. Several options will then appear on the screen:



- **Shut down** – this option will close the Windows XP and turn off your computer.
- **Standby** – this option will let your computer enter the power saving sleep mode. To return to your work, move the mouse, press a key of your keyboard, or press the power button of the computer.
- **Hibernate** – if you choose this option Windows will take a snapshot of your current work and save it to memory, then it will turn off. The next time you turn on your computer will returned back to this saved condition.
- **Restart** – this option will let you close Windows and restart your computer. This is convenient in case a crash occurs for you to reset your computer or your computer is running slowly.

---

**Intentionally Left Blank**

---

## Chapter V

### *Using the Computer*

#### *The Computer's Hot Key Controls*

The computer provides you with special hot keys to execute all the major functions that you like to run on your computer.

- ▶ **Power Switch** – Slide this button for 1-2 seconds to power on or enter the suspend/resume mode. Slide this button for more than 4 seconds to power off the system.
- ▶ **SAS Button** – Press this button to implement the “Ctrl-Alt-Del” function.

- 
- **A-Menu Button** - Press this button to implement the “A-Menu” function.

### ***The Battery Power System***

---

Before using the computer on battery power for the first time, disconnect the power adapter and check the battery status icon on the Windows Toolbar to make sure the battery is fully charged.

#### ***Preparing the Battery Pack for Use***

Before using the battery pack for the first time, the Smart Battery IC within the battery pack should be calibrated in order to get accurate reporting of the remaining battery life status.

To calibrate the battery pack, follow the instructions below:

- Turn the computer off. Connect the AC adapter and let the battery fully recharge. When the battery charge LED turns from orange to green, the battery is fully charged.
- Turn On the computer and let the battery run down until the battery is low-low and you hear continuous warning beeps. The system will automatically enter the Suspend mode. You can now connect the AC adapter.
- The battery pack is now properly calibrated.

In general, using the battery until the low battery warning indicator appears and fully recharging the battery each time (full discharge/charge cycle) will ensure the accuracy of the battery status gauge.

---

### ***Automatic Battery Pack Charging Function***

You can automatically charge the battery pack by using the AC Adapter.



#### **NOTE**

***The charge time is almost two hours when the computer power is turned off.***

### ***Battery Status***

Windows XP has an applet in the Control Panel that will display an icon in the Windows taskbar indicating when the computer is running on battery power or is attached to the AC adapter.



This applet also displays a meter that indicates how much charge is remaining in the battery.

### ***Battery Low Warning***

A beep sound will be heard once to alert you on battery low status. When the battery power reaches the “Battery Very Low” status the beeping sound will be heard every second.

Your battery now has 1 ~ 2 minutes of battery charge left. You must save your data or connect AC power immediately; otherwise, you may lose your data.

- Beeping accelerates - Battery Very Low: Indicates that there are 1 to 2 minutes of battery charge left. Save your work and turn off the computer or connect the AC adapter.

---

When there is only one minute of battery charge left, the computer will suspend to the HDD and power off. Connect AC power and resume your work.

### ***RTC Battery***

There is a small built-in battery pack that supplies power to the system in order to maintain certain system information while the power is off. If the computer is left without a power source for long period of time, this battery will be exhausted and system information will be lost.



**NOTE** *To avoid damage, only use replacement batteries recommended by System provider. To prevent the loss of data when the system loses power, do not remove the battery pack while the power is on.*

### ***Using the A-Menu***

---

Press the “Menu” button located on the side of the Tablet PC to display the “A-Menu” window dialog box.

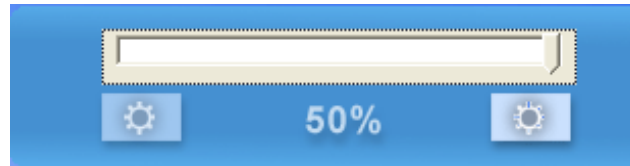


**NOTE** *Some of the most popular functions can be accessed from this menu.*

---

### *Adjusting the Brightness*

The brightness can be adjusted using the selection provided by the **A-Menu**. Choose “**Back Light control**” to adjust the brightness of your screen.



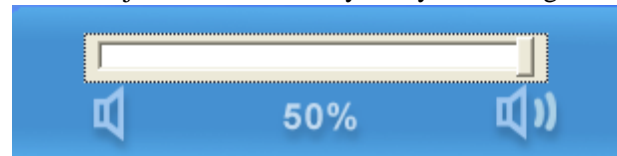
### *Adjusting the Screen Resolution*

The screen resolution can be adjusted using this adjustment.



### *Adjusting the Volume*

You can also adjust the volume of your system using this application.



---

## ***Entering Information with the Pen***

---

### ***Pen***

Hold the pen as if you were writing with a standard pen or pencil.

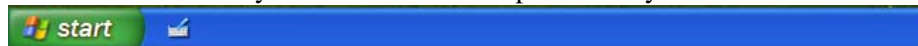


---

## ***Using the OnScreen Keypad***

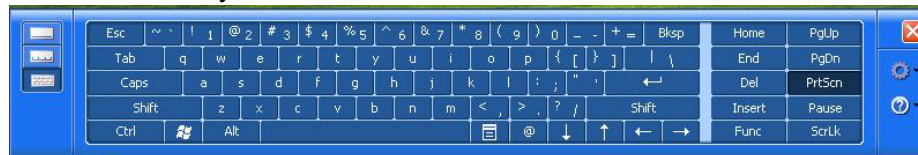
---

Press on the “Keyboard” icon to display the screen keyboard on your screen in case you would make an input to the system.



### ***On Screen Software Keyboard***

The keyboard in Input Panel. Use it the same way that you would use a standard keyboard.



---

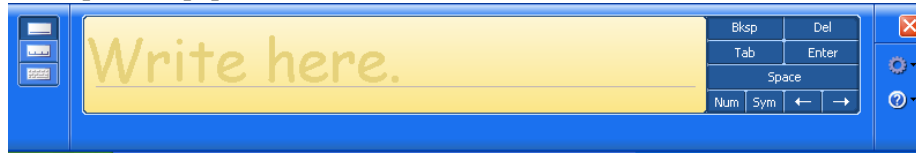
## ***Writing pad***

---

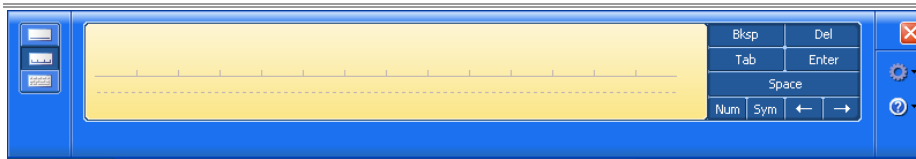
A pad that you use to write text that is converted into typed text. You write on lines in the writing pad the same way you write on a lined

---

piece of paper.

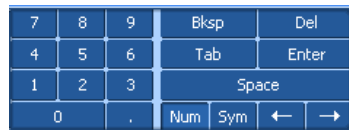


### **Character pad**



A pad that converts your handwriting into text so that it can be inserted into a program. You use the character pad to write on letter at a time.

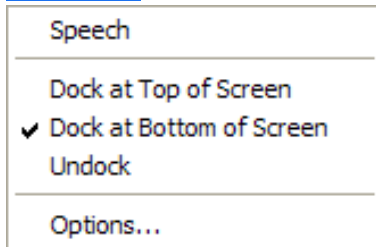
To enhance your writing capability, click on the “Num” or “Sym” to display the on screen “Numeric” or “Symbol” keys respectively.



To make a selection on how it will be proper for the software keyboard to illustrate on your display, a special function is design to solve all these problem.



Press on this icon to display the selection item for the software keyboard to appear on the screen.



### ***Speech***

By using a microphone, you can speak to your tablet computer either to dictate or give commands.

### ***Dock at Top of Screen***

Let the software keyboard to appear at the top of the screen.

### ***Dock at Bottom of Screen***

Let the software keyboard to appear at the bottom of the screen.

---

### ***Undock***

Closed down the software keyboard.

### ***Options***

- **General** – Provides you which action to be taken when opening the Input Panel
- **Settings** – Lets you select the option on how the insert button to appear on your display
- **Character Pad** – Lets you select on the ink thickness of the text and the spaces between them
- **Writing Pad** – Lets you select on the thickness of the text and the spaces between every written lines
- **Speech** – Sounds provide useful validation during speech recognition

### ***Pen Setting***

---

This setting lets you adjust the pen on how you operate on the computer.

**Properties**

**Turn off screen**

**Turn speaker on or off**

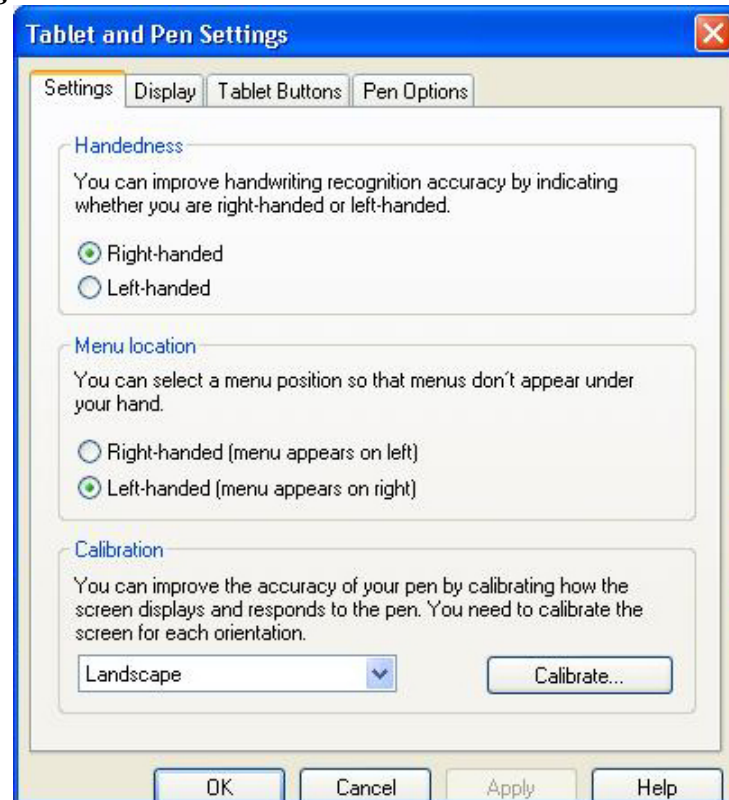
**Cancel**



Click on the “Properties” to open the “Tablet and Pen Setting”.

---

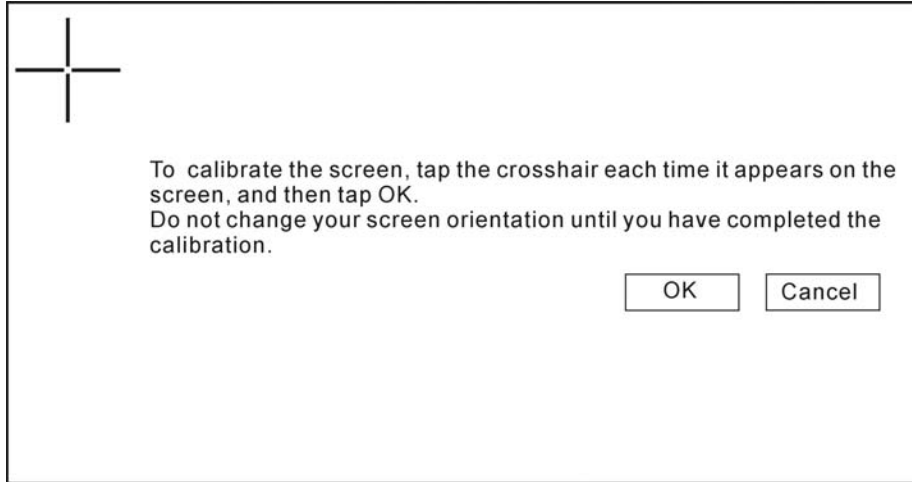
## Settings



---

If your cursor pointer does not function well, you can select the **“Calibrate”** function.

To calibrate on the pen, click on the “Calibrate” button.



---

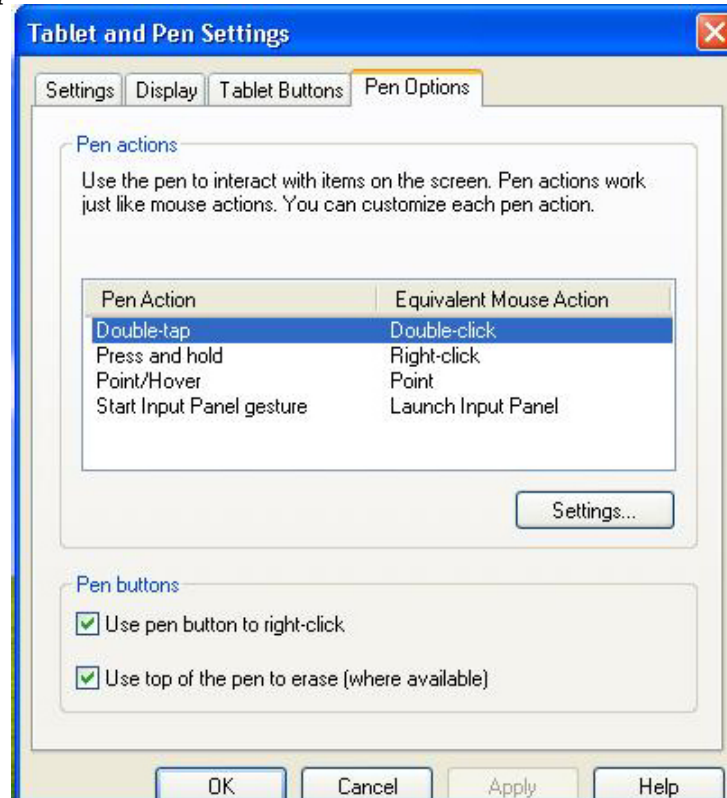
## Tablet Buttons



This function enables you to adjust on the buttons of your computer.

---

## *Pen Options*



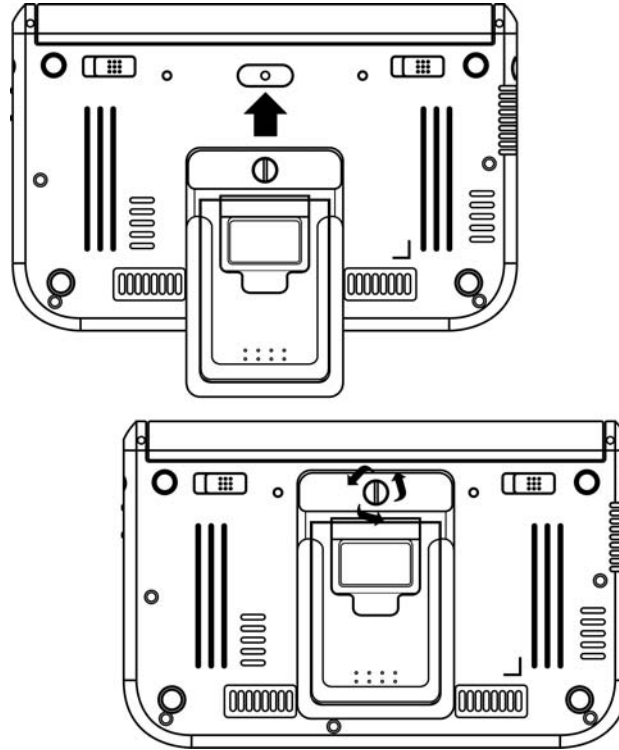
Use this let the pen to have a smooth interact on the screen

---

## ***Using the Stand***

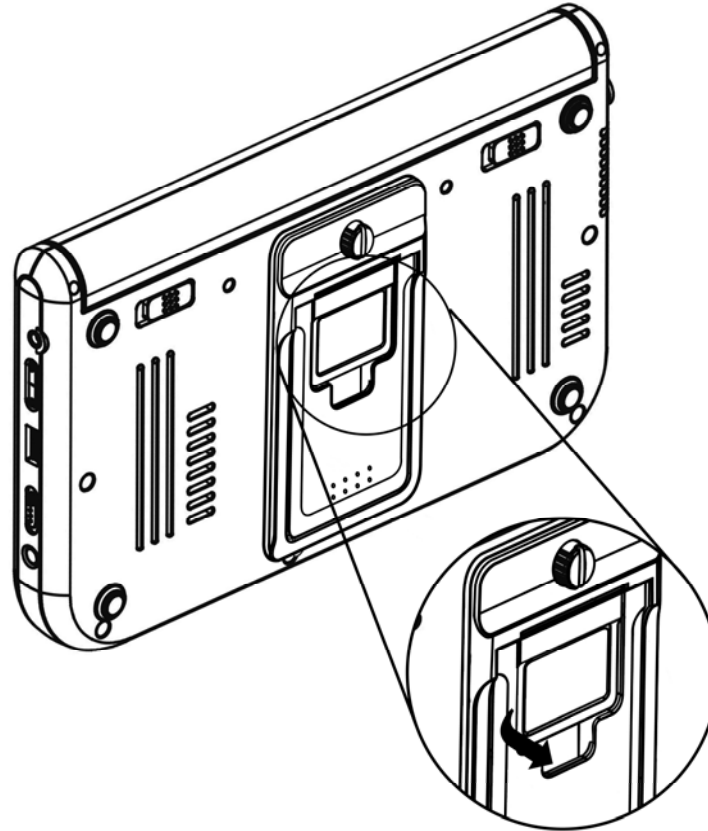
---

Your computer includes a stand which will serve as a support when you are working on a clear viewing angle.



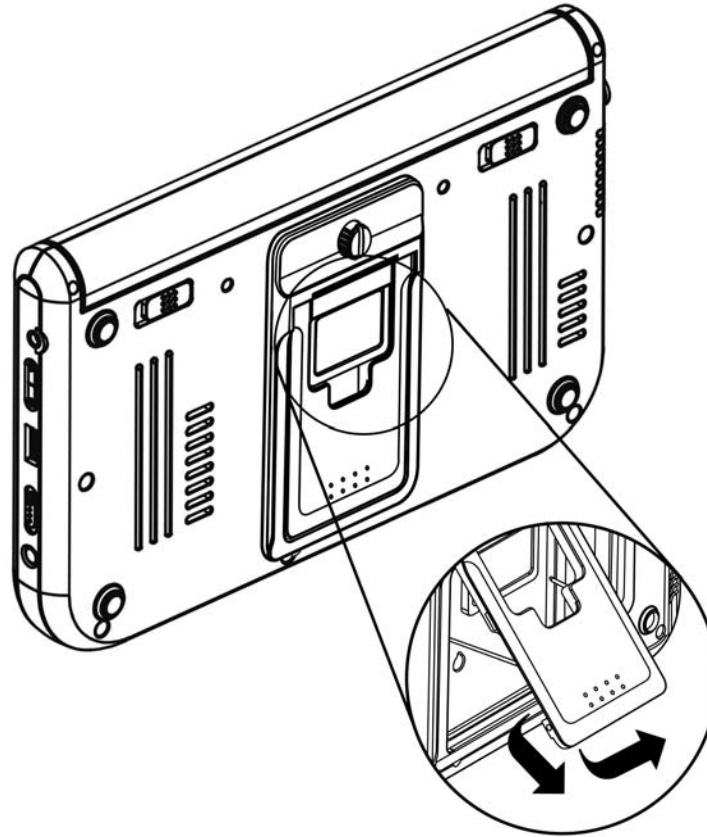
---

There are two ways to use the stand; the upper portion will support your system at a lower angle (20°) when you are operating on the table. ◦



---

The lower portion will support your system at a higher angle (80°) when you are operating for a much clearer view.



---

## Chapter VI

### *Performing Desktop Operations on Your Computer*

This chapter will discuss some of the major functions that are typical of a desktop system.

#### **Audio**

---

##### ***Multimedia Sound System***

Your computer is equipped with internal stereo speakers, a microphone and input audio ports for external audio devices.

---

### *Audio Software*

Your computer comes equipped with an integrated sound system capable of providing you with quality audio sound through the built-in speakers or through external speakers connected via the system ports.

### *Audio Volume Control*

The volume can be adjusted using the adjustment provided by **A-Menu**. Choose the “**Volume**” control to adjust the volume of the system.

---

### ***Playing Audio Files***

Your computer can play audio files stored in MIDI, WAVE or MP3 file formats. Check the Help and Support Center in Windows for information on the functions of the Media Player.

### ***Connecting Peripheral Devices***

---

USB devices are Plug & Play; simply plug the USB device into any USB port on the computer to use it.

---

---

## Chapter VII

### *Software Utilities*

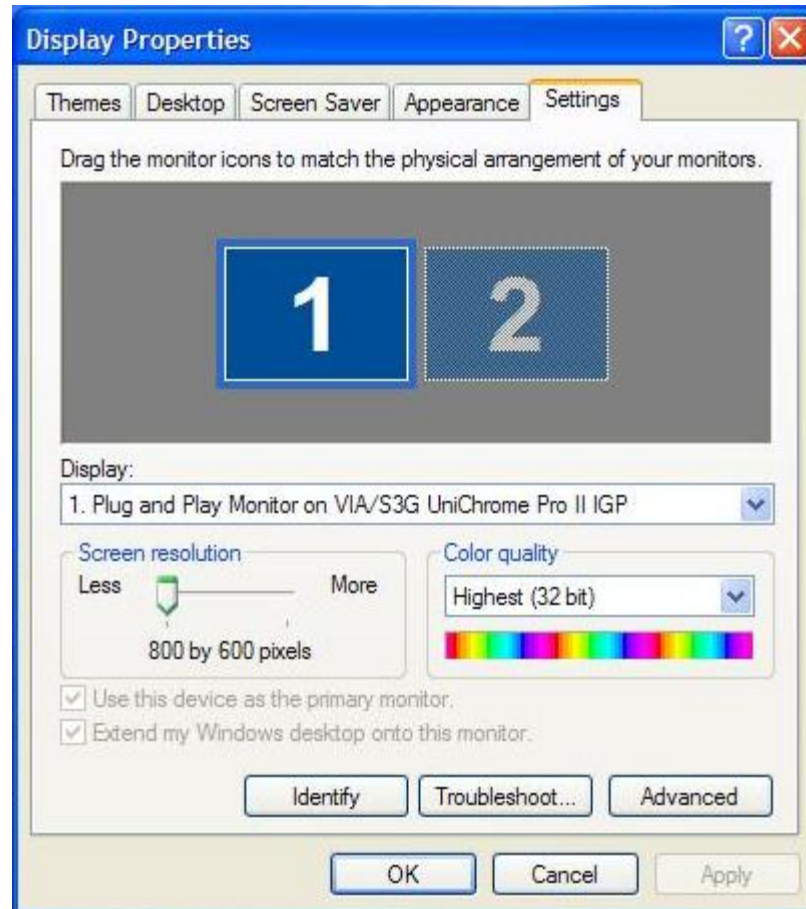
This chapter deals with installing the drivers and utilities essential to the operation or improvement of some of the computer's subsystems.

#### ***VGA Utility***

---

After you have restarted Windows, open the "Control Panel" and double click on the "Display" icon.

From the "Display Properties" window, select the "Setting" tab and click on the "Advanced" tab to enter the "Digital Flat Panel (1024x768) on VIA/S3G UniChrome Pro IGP" window.



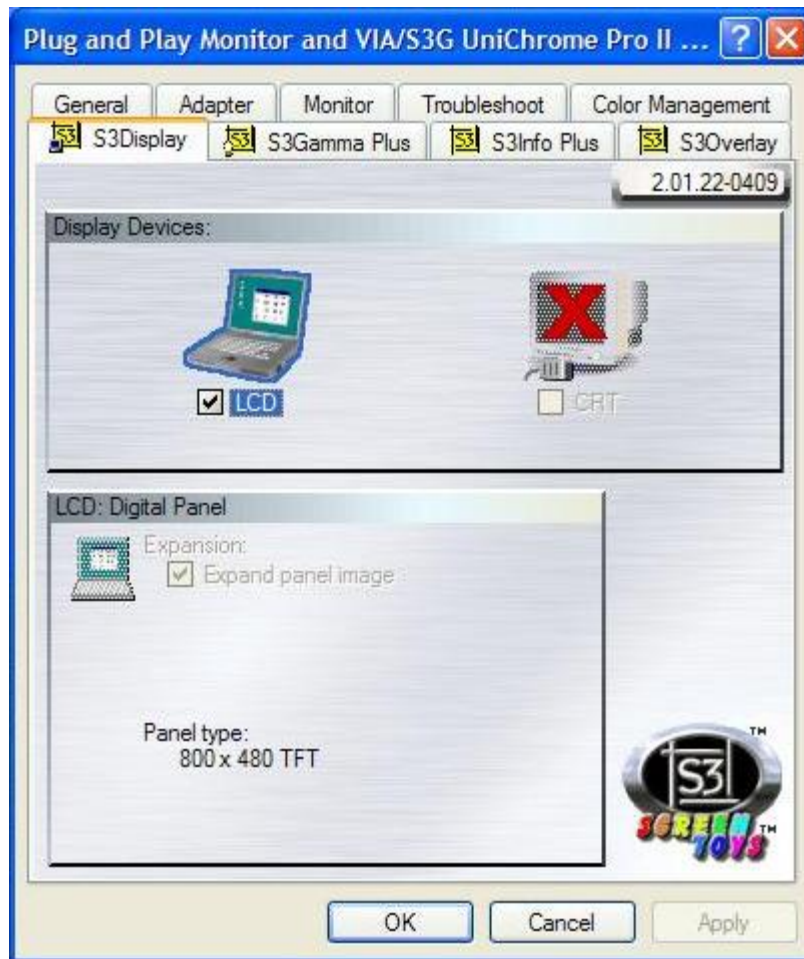
- Select “Advanced”

---

### ***S3Display***

This applies to the display that you prefer to use.

- Select the "**CRT**" if you want the picture to display only on the external monitor screen.
- Select "**LCD**" if you want the picture to display only on the Tablet PC's screen.



---

## Chapter VIII

### *Troubleshooting*

This chapter describes locating and solving problems that you may encounter while using your computer.

#### ***General Hardware Problems / Possible Cause and Solution***

---

A few common hardware problems and suggested solutions are presented in the table below:

#### ***Wireless LAN Problem/Solution***

<b>Problem</b>	<b>Possible Cause</b>	<b>Solution</b>
The internal wireless local area network (LAN) is not functioning.	The antennas are obstructed	Try to prevent the antennas from being obstructed and be sure the computer access point is quite near you.

---

---

### ***Audio Problems/Solutions***

<b>Problem</b>	<b>Possible Cause</b>	<b>Solution</b>
No sound can be heard	Either the volume is muted or turned down.	Use the Microsoft Windows volume control icon at the lower righthand corner of the display or the A-Menu to adjust the volume.

---

### ***Battery Problems/Solutions***

<b>Problem</b>	<b>Possible Cause</b>	<b>Solution</b>
Beeping sound.	The computer battery is low and Hibernation is disabled.	Connect the computer to an external power source immediately.
The battery pack is warm after charging.	This is a normal condition.	No action is required.
The battery LED indicator does not light when the battery is charging or if it is not charging.	No power is connected to the computer.	Check the power source.
	The battery is fully charged.	Refer to the battery icon located at the lower righthand corner of your screen if you are operating on battery.
	Battery pack was exposed to a high temperature.	Let the battery pack reach room temperature before use.
	The battery pack is nearing the end of its life.	Replace the battery pack.

---

---

Battery charge gauge  
not accurately  
displaying the charge  
remaining

---

Battery pack requires  
calibration.

Calibrate the battery pack.

---

### ***Internet Problems/Solutions***

<b>Problem</b>	<b>Possible Cause</b>	<b>Solution</b>
The computer is unable to connect to the Internet.	Account for Internet service provider is not properly configured.	Ask for your ISP assistance.
The system does not connect to the network	The settings are not correctly set.	Contact your network administrator.

### ***Power Problems/Solutions***

<b>Problem</b>	<b>Possible Cause</b>	<b>Solution</b>
The computer is connected to an external power source but does not turn on even though the battery pack is connected.	The battery pack may be defective.	Replace the battery pack.
The Power/Standby light is off and the system turns off when it is left unattended.	The system initiated Hibernation mode	Press the Power button.
The system will not turn on after it turns off.	The system initiated Hibernation because it is in critical low-battery condition.	Connect the computer to an external power source.

---

### *Screen Problem/Solutions*

<b>Problem</b>	<b>Possible Cause</b>	<b>Solution</b>
The screen is blank.	Standby or Hibernate has initiated.	Exit Standby or Hibernate.
	External monitor display is selected	Switch to the computer. (Refer to "Software Utilities" section of Chapter 7.)

### *USB Problem/Solutions*

<b>Problem</b>	<b>Possible Cause</b>	<b>Solution</b>
The external device does not work when connected to the USB connector.	The external device is not receiving power.	Ensure that the external device is plugged into an electrical outlet.
	The external device is defective.	Try connecting the external device to another computer to determine if it operates properly.

### *System Not Resuming Operation*

<b>Problem</b>	<b>Possible Cause</b>	<b>Solution</b>
The system will not resume operation after Standby.	The battery may either be defective, or discharge to a critically low level.	Connect the computer to an external power source.

---

***Tablet PC is Not Responding to the Pen***

---

<b>Problem</b>	<b>Possible Cause</b>	<b>Solution</b>
The Tablet PC does not respond to the pen		Connect an external keyboard to the system to see if it responds to keyboard commands.
	If the system does not respond to a keyboard, the application or system may have crashed.	Reboot the system
	If the system responds to a keyboard but not to a pen contact your local dealer for further assistance.	

---

***If the cursor is not in position with the Pen***

---

<b>Problem</b>	<b>Possible Cause</b>	<b>Solution</b>
The cursor is not in position with the Pen		Please make sure you have made the calibration.

---

***Contacting Your Dealer***

If you still have a problem after reading the preceding section, the next step is to contact your dealer.

Your dealer can determine if the problem is something that requires the computer to be taken to the shop. Before you call your dealer, however, please have the following information available:

---

- 
- How is your computer configured? Your dealer needs to know what peripheral devices you are using.
  - What messages, if any, are on the screen?
  - What software were you running at the time?
  - What have you done already to try to solve the problem? If you have overlooked a step, your dealer may be able to solve the problem over the phone.

---

---

# Appendix A

## *Appendix A*

### *Specifications*

#### ***Detailed Specifications***

---

##### ***CPU***

- VIA C7M NaNo Processor 1.2GHz (BGA onboard)

##### ***chipsets***

- Core Logic: Integrates North and South Bridgets: VIA VX700

##### ***VGA***

- VGA: Integrated on VX700

##### ***Audio***

- 
- Audio: ALC260 (HD codec)

### ***Memory***

- 1x SODIMM Slot DDR2, 1GB (Default : 512MB)

### ***BIOS***

- Phoenix BIOS 包括 System & Video
- Supports S3 and S4 power states
- Password Protection

### ***Modular Battery Bay***

- Re-chargeable 26W Lithium Ion Battery Pack (Cylindrical Cell, 2400mAh)

### ***Mass Storage***

- 2.5" Format Supported, 9.5mm height

### ***Video***

- VIA VX700
- ZOOM function for 800\*600 as default, 800\*480, 1024\*600
- 7" 800\*480 TFT

---

### ***Audio***

- HD Codec
- Built in 1W Speaker \*1
- Stereo Head Phone / MIC Jack (Combo; diameter is 3.5mm)

### ***Another I/O Devices***

- USB Interface Wireless 802.11b/g
- USB Blue Tooth Module built in
- 4 wire Resistive touch screen (at least 80% transparency)
- Stick Point

### ***I/O Ports***

- 1 x DC-IN Jack
- 1 x Stereo Headphone / MIC Combo Jack
- 2 x 4-pin USB 2.0 Port
- 1 x Stylus holder (Bottom side, 91/120mm)
- 1 x 36pins Cradle Connector (1\*USB2.0, DB-15, 10/100 Ethernet, Power, Audio In, Audio Out )

### ***LED Indicator***

- Power On indicator (ON : Green, Standby : Blinking)
- Battery Indicator (Charging : Amber, Full w/ DC : Green, Full w/o DC : OFF)
- HDD Accessing (Blinking in Amber)
- Wireless Status (ON : Amber)

---

### ***Power System***

- Miniature Size Adapter
- 19V, 3.42A, AC 100-240 Volt, 65W
  - LSE 0335A1965
  - LSE 0225C1965
- 1 Removable Battery Pack
- Li-Ion (Cylindrical)-3S1P
- Smart Charger
- Support for ACPI
- PC-2001 compliant

---

***Physical / Mechanical***

- 228\*146\*25.1mm
- 850g

***Accessory Kit***

- AC Adapter with Power Cord Set
- Stereo Head Phone / MIC (Combo; 3.5mm)
- Quick Start Guide
- A Stylus Pen
- A Stand
- A Clean Cloth
- Gift Box

***Options***

- 512MB / 1GB SODIMM
- 40-80GB HDD

***Regulatory Approval (minimal)***

- FCC, FCC ID, CE (EU), VCCI (JP), BSMI (TW), CCC, SRRC, TELEC (JP), DGT
- TUV, UL, CB Report